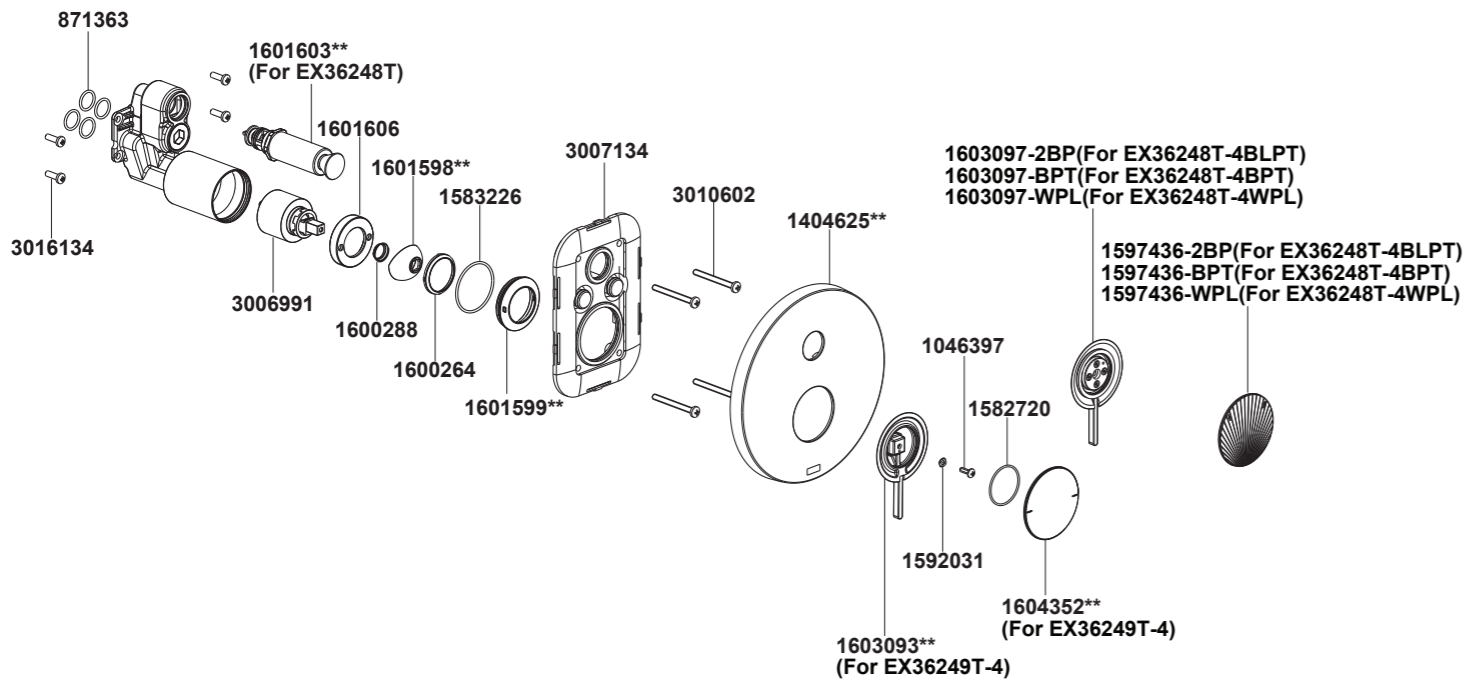
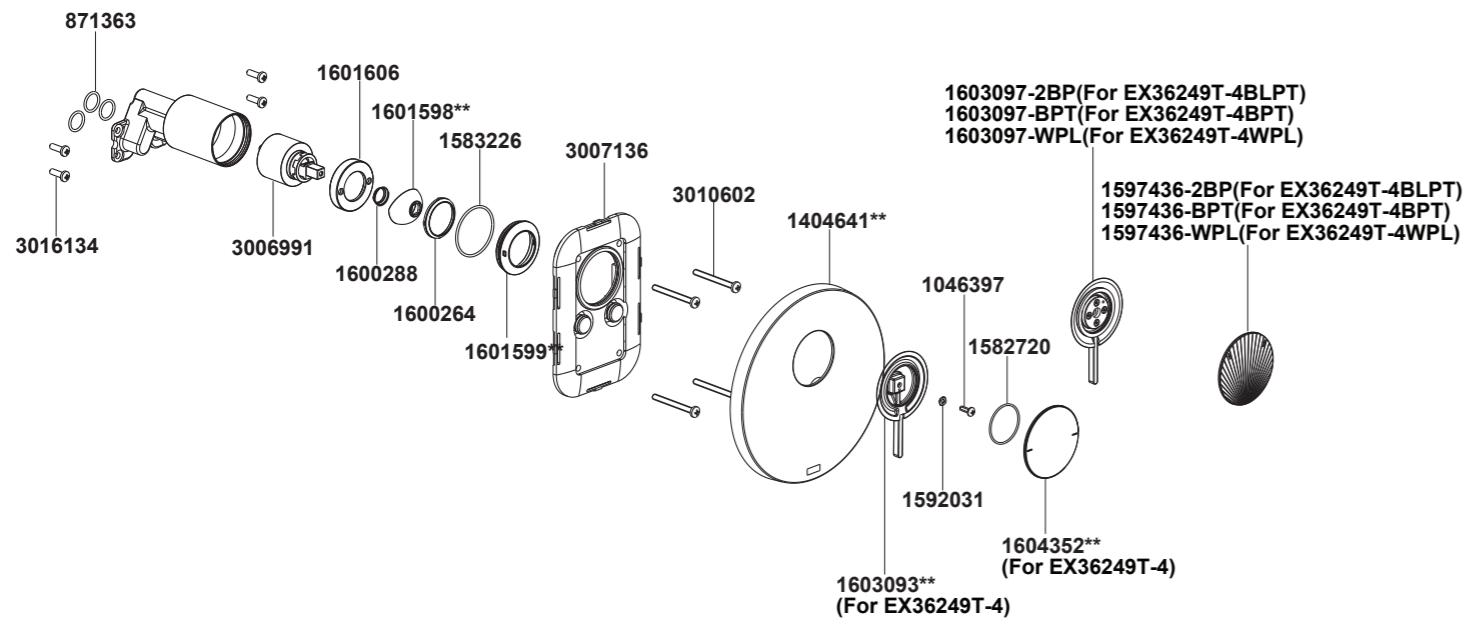


EX36248T-4 / 4BLPT / 4BPT / 4WPL 入墙式浴缸花洒阀芯及面板 - 芮怡  
 EX36249T-4 / 4BLPT / 4BPT / 4WPL 入墙式花洒阀芯及面板 - 芮怡



EX36248T-4 / 4BLPT / 4BPT / 4WPL



EX36249T-4 / 4BLPT / 4BPT / 4WPL

\*\*订购时请说明颜色编号

\*\*Color code must be specified when ordering

EX36248T-4 / 4BLPT / 4BPT / 4WPL 入墙式浴缸花洒阀芯及面板 - 芮怡  
 EX36249T-4 / 4BLPT / 4BPT / 4WPL 入墙式花洒阀芯及面板 - 芮怡

### 安装之前

所有的资料是按最新出版的产品资料编写而成。科勒公司保留任何时候不经通知即可改变产品特性、包装或产品可供类型的权利。

说明书包括重要的安装、保养及清洁方面的内容，请把这些资料交给用户阅读。

#### 注意事项:

1. 一定要先彻底冲洗供水管以清除管道中的杂质。
2. 检查供水管有无损坏和漏水。如需要，进行替换和维修。
3. 遵守当地管路安装条例。切断主供水源。
4. 埋墙前测试安装连接部位是否有渗漏，根据需要修理之。
5. 本产品只接受水压测试，且测试前需先排空管路龙头之间的空气。测试水压不超过0.8MPa，时间不超过30分钟。

### BEFORE YOU BEGIN

All information is based on the latest product information available at the time of publication. Kohler Co. reserves the right to make changes in product characteristics, packaging, or availability at any time without notice.

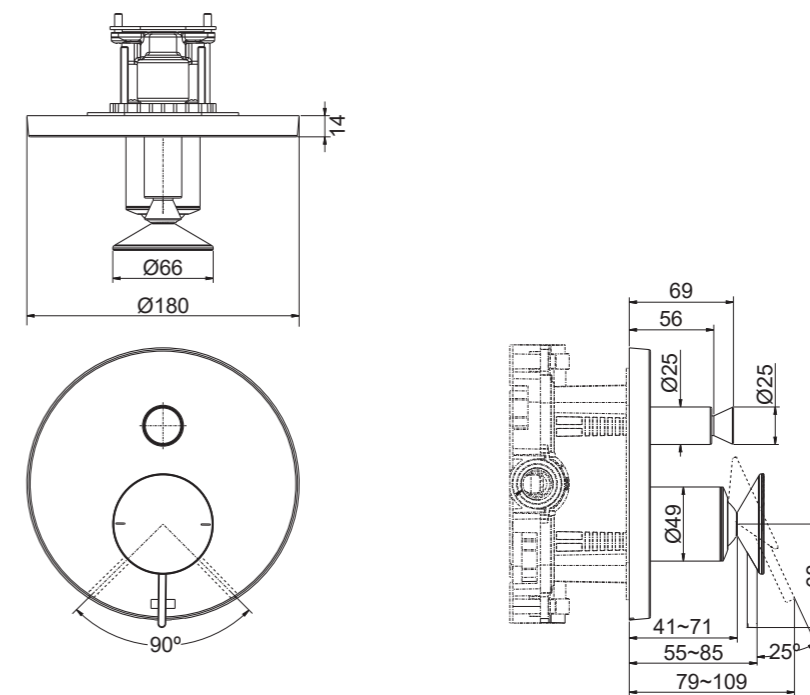
Please leave these instructions for the consumer. They contain important information.

#### NOTES:

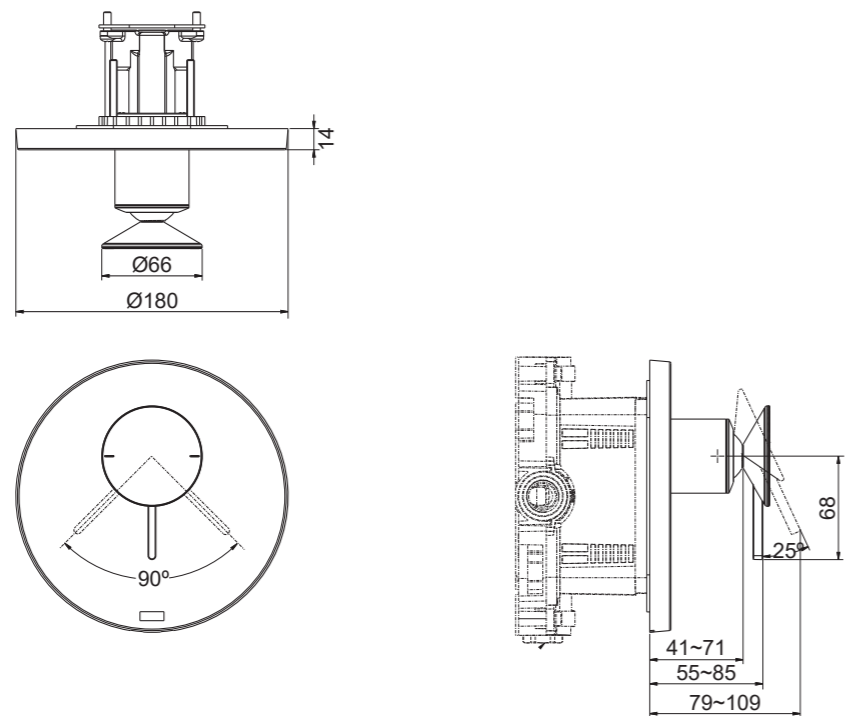
1. Flush the water supply pipes thoroughly to remove debris.
2. Inspect the supply tubing for damage and leakage. Replace and maintain as necessary.
3. Observe local plumbing codes. Shut off the main water supply.
4. Check for leaks before covering the pipes, repair as needed.
5. Please ensure only apply water pressure test on the product, and empty the air in pipe and faucet thoroughly before the test. Please ensure test pressure below 0.8MPa and test duration within 30 minutes.

### 安装尺寸

### ROUGH-IN DIMENSIONS



EX36248T-4 / 4BLPT / 4BPT / 4WPL



EX36249T-4 / 4BLPT / 4BPT / 4WPL

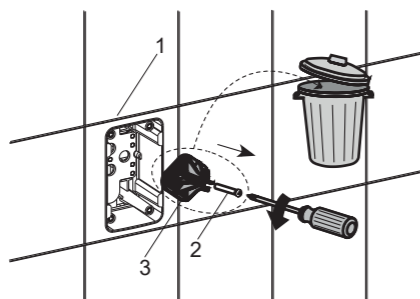
### 安装步骤

### INSTALLATION

注意：参照98699T-B-NA安装尺寸安装安装盒(1)。

**NOTE:** Install the mounting box kit(1) according to the rough-in dimensions of 98699T-B-NA.

待墙面装修好后，切掉安装盒凸出墙面的部分，用螺丝刀旋松螺钉(2)，将保护组件(3)取下。

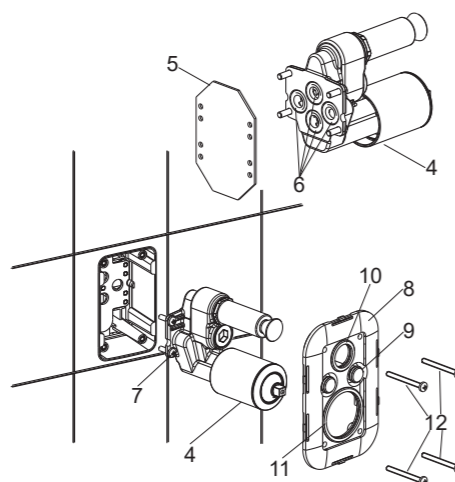


Cut the protrudent part of the mounting box kit out of the finished wall. Unscrew the screw(2), remove the protect cover kit(3).

取下阀体组件(4)底部的保护板(5)，注意：不要弄丢底部O型圈(6)。

Remove the protection(5) on the valve kit(4). **NOTE:** Don't drop the O-rings(6).

阀体底部各孔对准安装盒底部各孔，将阀体装入安装盒，锁紧螺钉(7)。

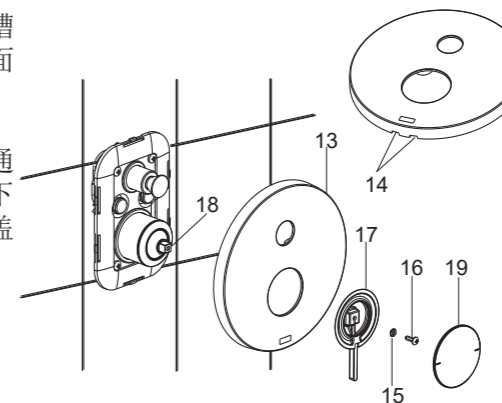


The holes on the bottom of the valve kit should be aligned with the holes in the mounting box. Install the valve kit into the mounting box kit, tighten the screws(7).

将安装盘组件(8)套入阀体，凸起(9)朝外(注意：勿将环10, 11挤出)，将其后推直至与墙面接触。用螺钉(12，长50mm)固定安装盘组件。

Slide the cover kit(8) onto the valve with the plugs(9) facing outside (**NOTE:** Don't squeeze out the rings 10, 11). Push it until it is against the wall. Secure it with the screws(12).

将面板(13)套在阀体上，使开槽(14)向下。将其后推直至与墙面接触。



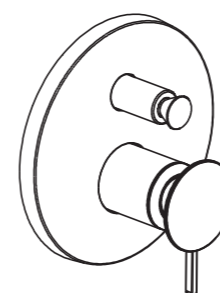
Slide the faceplate(13) onto the valve with slots(14) downwards. Push it until it is against the wall.

将垫片(15)套在螺钉(16)上，通过锁紧螺钉将把手(17)手柄朝下安装到阀芯(18)上。将把手盖(19)扣到把手上。

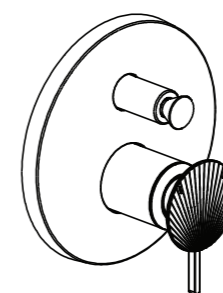
Slide the washer(15) onto the screw (16). Tighten the screw to secure the handle(17) onto the valve(18). Press the cap(19) onto the handle.

把手安装后的状态如图所示。

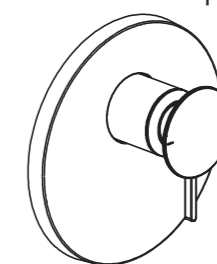
The illustrations shown is the correct position of the handles in the off position.



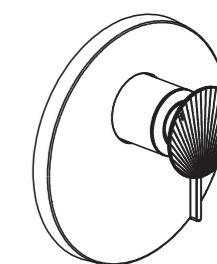
EX36248T-4



EX36248T-4BLPT  
EX36248T-4BPT  
EX36248T-4WPL



EX36249T-4



EX36249T-4BLPT  
EX36249T-4BPT  
EX36249T-4WPL

### 安装结果检查

### INSTALLATION CHECKOUT

检查并确保所有的衔接处都已拧紧。

Ensure that all coupling nuts are tight.

确保把手在关闭位置。

Ensure that the handle is in the off position.

打开排水系统和主要供水源，检查并修理有漏水的接口。

Turn on the main water supply, and check for leaks. Repair as needed.

### 清洗说明

### CLEANING INSTRUCTIONS

适用于所有加工处理过的表面：以中性肥皂水清洗镀层表面，再以干净的软布彻底擦干整个表面，许多清洁剂，比如氨水、去污粉及洁厕灵等，会对电镀表面造成伤害，切忌使用。

All Finishes: Clean the finish with mild soap and warm water. Wipe entire surface completely dry with clean soft cloth. Many cleaners may contain chemicals, such as ammonia, chlorine, toilet cleaner etc. which could adversely affect the finish and are not recommended for cleaning.

有磨损性的清洁用具或清洁剂也不可适用于科勒牌的水龙头及其配件上。

Do not use abrasive cleaners or solvents on Kohler faucets and fittings.